

Introduction to Mobile Robotics

Error Propagation

Wolfram Burgard, Cyrill Stachniss, Maren
Bennewitz, Giorgio Grisetti, Kai Arras



Slides by Kai Arras

Last update: June 2010

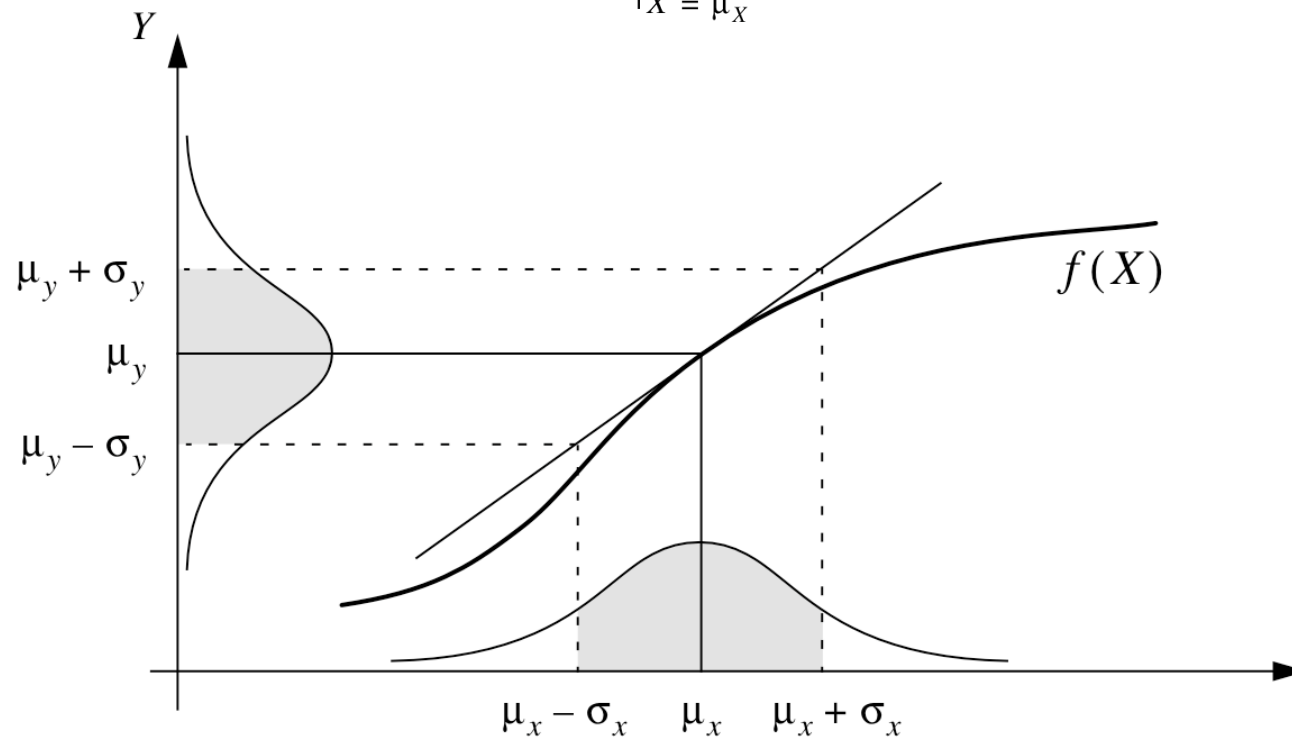
Error Propagation: Motivation

- Probabilistic robotics is
 - **Representation**
 - **Propagation**
 - **Reduction**
of uncertainty
- **First-order error propagation** is fundamental for:
Kalman filter (KF), landmark extraction,
KF-based localization and SLAM

First-Order Error Propagation

Approximating $f(X)$ by a **first-order** Taylor series expansion about the point $X = \mu_X$

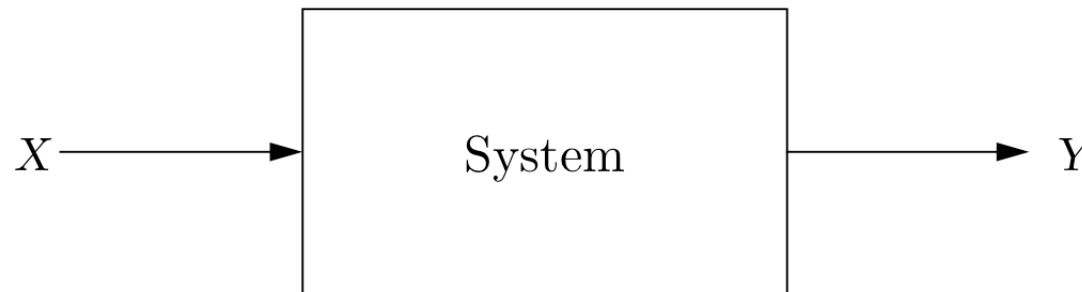
$$Y \approx f(\mu_X) + \left. \frac{\partial f}{\partial X} \right|_{X = \mu_X} (X - \mu_X)$$



First-Order Error Propagation

X, Y assumed to be Gaussian

$$Y = f(X)$$



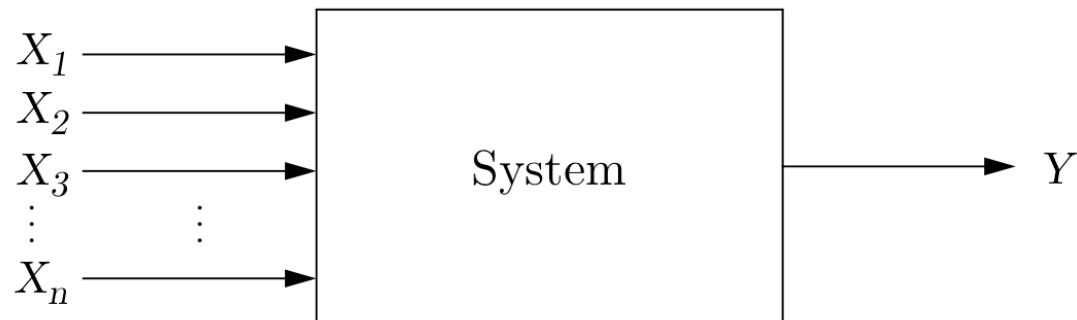
Taylor series expansion

$$Y \approx f(\mu_X) + \left. \frac{\partial f}{\partial X} \right|_{X = \mu_X} (X - \mu_X)$$

Wanted: μ_Y, σ_Y^2 (Solution on blackboard)

First-Order Error Propagation

$$Y = f(X_1, X_2, \dots, X_n)$$



Taylor series expansion

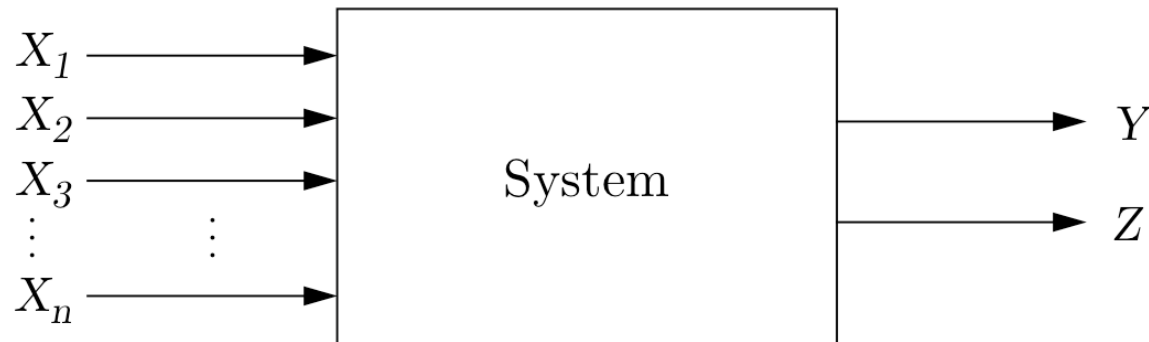
$$Y \approx f(\mu_1, \mu_2, \dots, \mu_n) + \sum_{i=1}^n \left[\frac{\partial f}{\partial X_i}(\mu_1, \mu_2, \dots, \mu_n) \right] [X_i - \mu_i]$$

Wanted: μ_Y, σ_Y^2 (Solution on blackboard)

First-Order Error Propagation

$$Y = f(X_1, X_2, \dots, X_n)$$

$$Z = g(X_1, X_2, \dots, X_n)$$

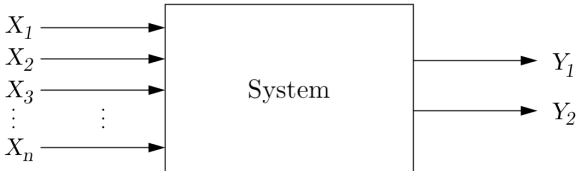


Wanted: σ_{YZ}

(Exercise)

First-Order Error Propagation

Putting things together...

$$C_X = \begin{bmatrix} \sigma_{X_1}^2 & \sigma_{X_1 X_2} & \cdots & \sigma_{X_1 X_n} \\ \sigma_{X_2 X_1} & \sigma_{X_2}^2 & \cdots & \sigma_{X_2 X_n} \\ \vdots & \vdots & & \vdots \\ \sigma_{X_n X_1} & \sigma_{X_n X_2} & \cdots & \sigma_{X_n}^2 \end{bmatrix}$$


$$C_Y = \begin{bmatrix} \sigma_{Y_1}^2 & \sigma_{Y_1 Y_2} \\ \sigma_{Y_2 Y_1} & \sigma_{Y_2}^2 \end{bmatrix}$$

with

$$\sigma_Y^2 = \sum_i \left(\frac{\partial f}{\partial X_i} \right)^2 \sigma_i^2 + \sum_{i \neq j} \left(\frac{\partial f}{\partial X_i} \right) \left(\frac{\partial f}{\partial X_j} \right) \sigma_{ij}$$

$$\sigma_{YZ} = \sum_i \left(\frac{\partial f}{\partial X_i} \right) \left(\frac{\partial g}{\partial X_i} \right) \sigma_i^2 + \sum_{i \neq j} \left(\frac{\partial f}{\partial X_i} \right) \left(\frac{\partial g}{\partial X_j} \right) \sigma_{ij}$$

→ “Is there a **compact form?...**”

Jacobian Matrix

- It's a **non-square matrix** $n \times m$ in general
- Suppose you have a vector-valued function $f(\mathbf{x}) = \begin{bmatrix} f_1(\mathbf{x}) \\ f_2(\mathbf{x}) \end{bmatrix}$
- Let the **gradient operator** be the vector of (first-order) partial derivatives

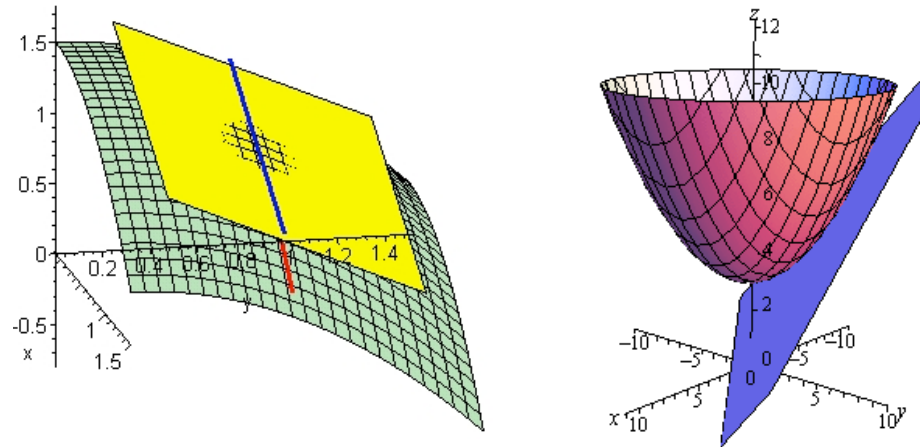
$$\nabla_{\mathbf{x}} = \left[\frac{\partial}{\partial x_1} \quad \frac{\partial}{\partial x_2} \quad \cdots \quad \frac{\partial}{\partial x_n} \right]^T$$

- Then, the **Jacobian matrix** is defined as

$$\mathbf{F}_{\mathbf{x}} = \begin{bmatrix} f_1(\mathbf{x}) \\ f_2(\mathbf{x}) \end{bmatrix} \cdot \left[\frac{\partial}{\partial x_1} \quad \cdots \quad \frac{\partial}{\partial x_n} \right] = \begin{bmatrix} \frac{\partial f_1}{\partial x_1} & \cdots & \frac{\partial f_1}{\partial x_n} \\ \frac{\partial f_2}{\partial x_1} & \cdots & \frac{\partial f_2}{\partial x_n} \end{bmatrix}$$

Jacobian Matrix

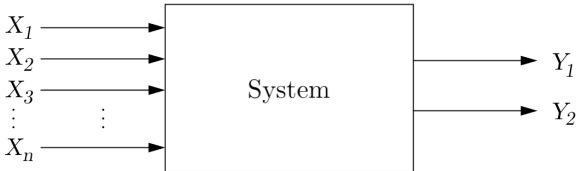
- It's the orientation of the **tangent plane** to the vector-valued function at a given point



- **Generalizes the gradient** of a scalar valued function
- Heavily used for **first-order error propagation...**

First-Order Error Propagation

Putting things together...

$$C_X = \begin{bmatrix} \sigma_{X_1}^2 & \sigma_{X_1 X_2} & \cdots & \sigma_{X_1 X_n} \\ \sigma_{X_2 X_1} & \sigma_{X_2}^2 & \cdots & \sigma_{X_2 X_n} \\ \vdots & \vdots & & \vdots \\ \sigma_{X_n X_1} & \sigma_{X_n X_2} & \cdots & \sigma_{X_n}^2 \end{bmatrix}$$


$$C_Y = \begin{bmatrix} \sigma_{Y_1}^2 & \sigma_{Y_1 Y_2} \\ \sigma_{Y_2 Y_1} & \sigma_{Y_2}^2 \end{bmatrix}$$

with

$$\sigma_Y^2 = \sum_i \left(\frac{\partial f}{\partial X_i} \right)^2 \sigma_i^2 + \sum_{i \neq j} \left(\frac{\partial f}{\partial X_i} \right) \left(\frac{\partial f}{\partial X_j} \right) \sigma_{ij}$$

$$\sigma_{YZ} = \sum_i \left(\frac{\partial f}{\partial X_i} \right) \left(\frac{\partial g}{\partial X_i} \right) \sigma_i^2 + \sum_{i \neq j} \left(\frac{\partial f}{\partial X_i} \right) \left(\frac{\partial g}{\partial X_j} \right) \sigma_{ij}$$

→ “Is there a **compact form?...**”

First-Order Error Propagation

...Yes! Given

- Input covariance matrix C_X
- Jacobian matrix F_X

the **Error Propagation Law**

$$C_Y = F_X C_X F_X^T$$

computes the output covariance matrix C_Y

First-Order Error Propagation

Alternative Derivation:

$$\begin{aligned}\mu_x &= E(x) \\ &= E(Au + b) \\ &= AE(u) + b \\ &= A\mu_u + b\end{aligned}$$

$$\begin{aligned}\Sigma_x &= E((x - E(x))(x - E(x))^T) \\ &= E((Au + b - AE(u) - b)(Au + b - AE(u) - b)^T) \\ &= E((A(u - E(u)))(A(u - E(u)))^T) \\ &= E((A(u - E(u))((u - E(u))^T A^T)) \\ &= AE((u - E(u))(u - E(u))^T)A^T \\ &= A\Sigma_u A^T\end{aligned}$$

Example: Line Extraction

Wanted: Parameter Covariance Matrix

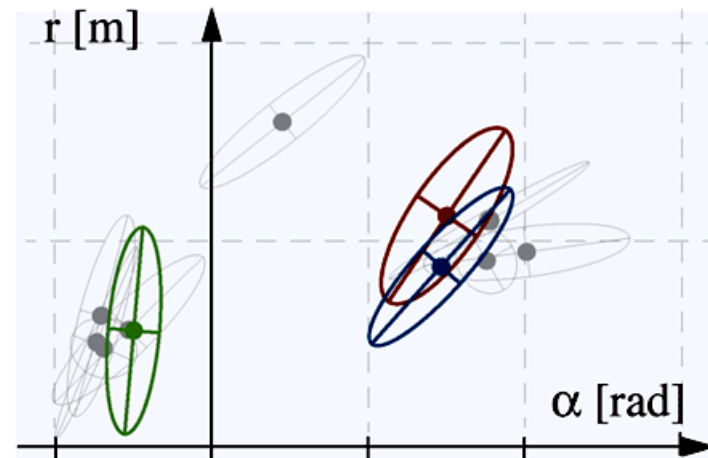
$$C_{AR} = \begin{bmatrix} \sigma_A^2 & \sigma_{AR} \\ \sigma_{AR} & \sigma_R^2 \end{bmatrix}$$

$$C_X = \begin{bmatrix} \sigma_{\rho_1}^2 & 0 & \dots & 0 \\ 0 & \sigma_{\rho_2}^2 & \dots & 0 \\ \vdots & \vdots & \ddots & \vdots \\ 0 & 0 & \dots & \sigma_{\rho_n}^2 \end{bmatrix}$$

Simplified sensor model:
all $\sigma_{\theta_i}^2 = 0$, independence

$$C_{AR} = F_X C_X F_X^T$$

Result: Gaussians in
the model space



Other Error Prop. Techniques

- **Second-Order Error Propagation**

Rarely used (complex expressions)

- **Monte-Carlo**

Non-parametric representation of uncertainties

1. Sampling from $p(X)$
2. Propagation of samples
3. Histogramming
4. Normalization

